

Care and Safety

- Periodically check all fittings to ensure that none have come loose.
- The bed must be set up on an even and stable surface.
- Clean your bed by wiping with a damp cloth & drying with a soft cloth.
- Never clean with abrasives, chemical cleaners or household polishes.
- Keep away from direct sources of heat, such as electric, gas or coal fires.
- Take care when handling or moving the bed. Careless handling can damage wooden furniture.
- Bouncing on, or using this bed other than for its intended purpose, could cause damage to the structure or serious injury to your child.

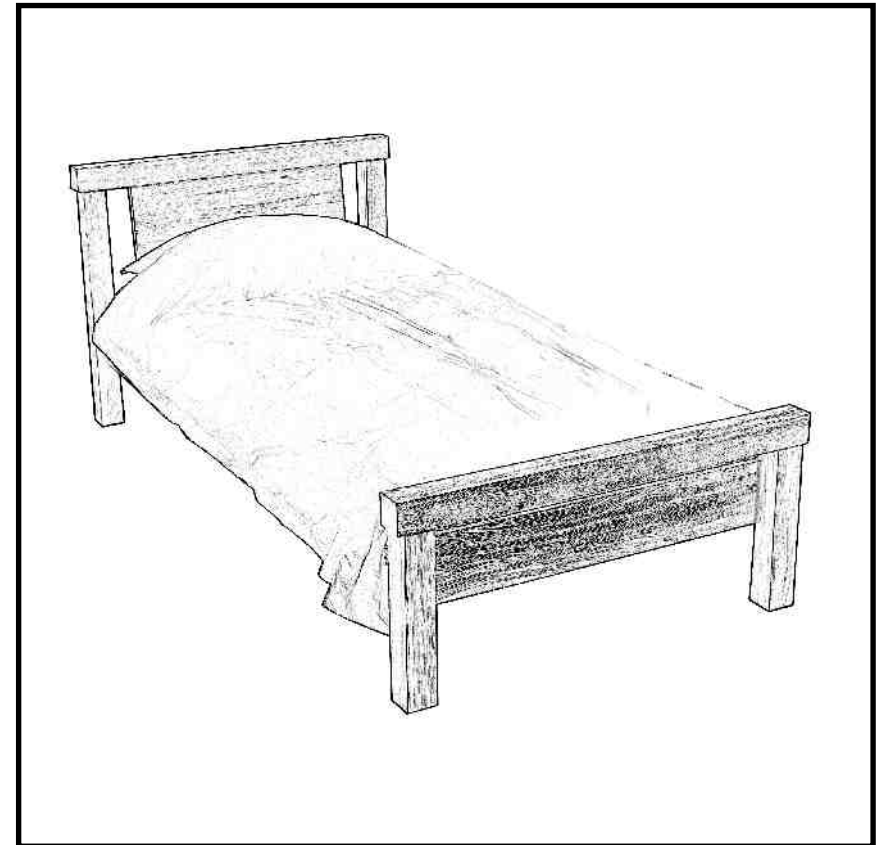
MATTRESS SIZE: The recommended mattress to be used with this bed should measure 190cm x 91cm (6'3" x 3'0")

If you have a problem with this product, or require replacement parts, call ASPACE Ltd. on

0845 872 2400

ASPACE

REAL FURNITURE - FOR KIDS



Porterhouse

Bed 3166

PLEASE READ CAREFULLY & KEEP FOR FUTURE REFERENCE

Checklist



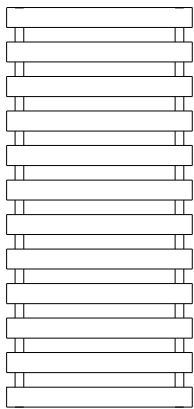
Head End



Foot End



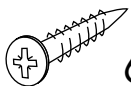
2 side rails



mattress slats



8 bed bolts

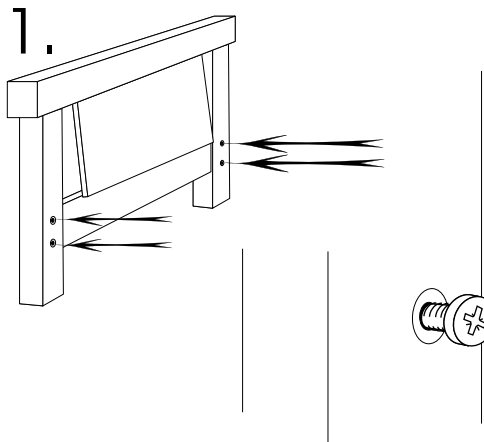


6 screws

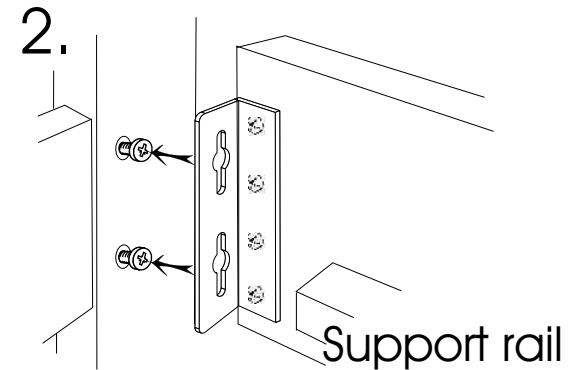
Please take a few minutes to lay the parts out on the floor and check that you have all the components listed left.

Please do not throw away any packaging until you are sure that you have everything.

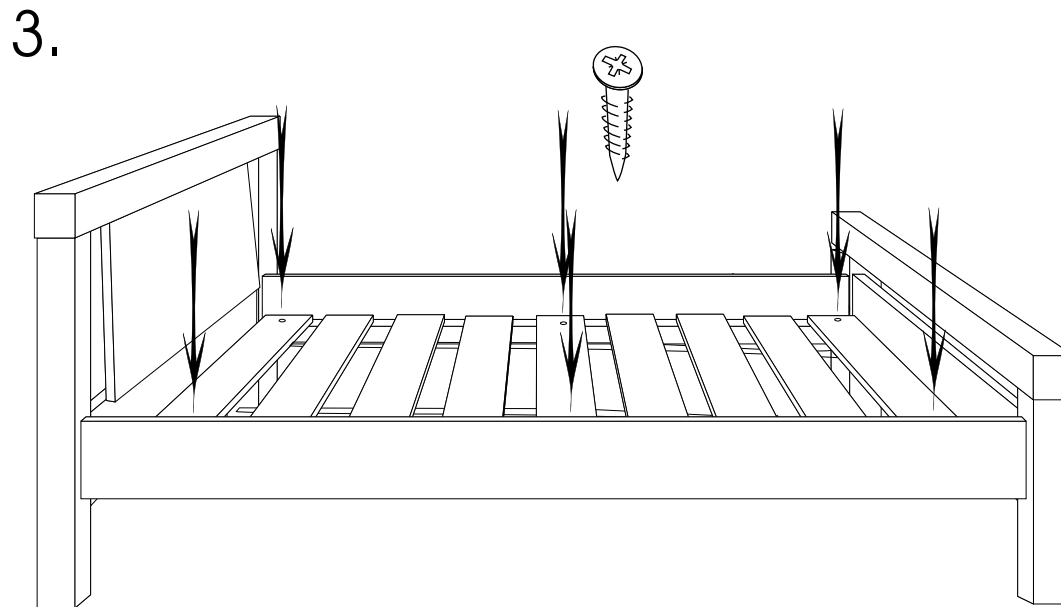
Putting the Bed Together



1. Screw the 8 bed bolts part way into the holes found in the legs of both bed ends.

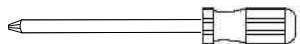


2. Pass the keyhole plates in the ends of each side rail over the bed bolts and by lowering the rails, allow the narrow slots to engage securely over the bolt heads. The support rails must be at the bottom.



3. Spread the slats out evenly on the support rails between the sides.

Using the screws, fix through the 6 pre-drilled holes and into the support rails.



You will need a "Phillips" head screwdriver