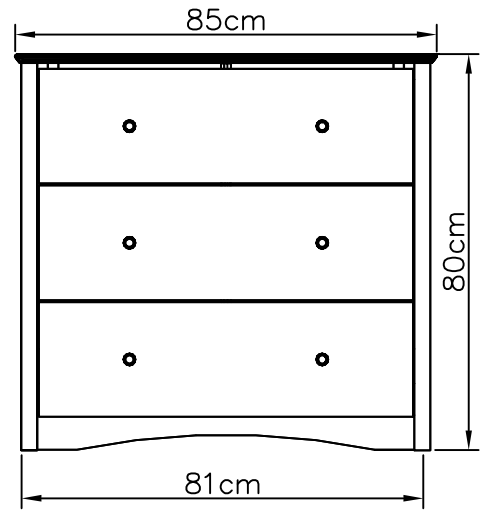
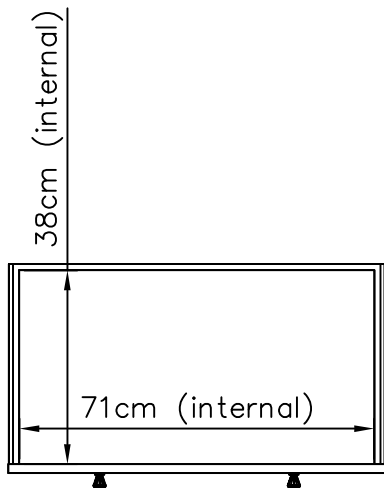


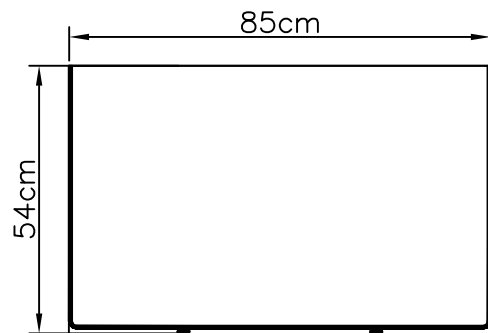
Side view



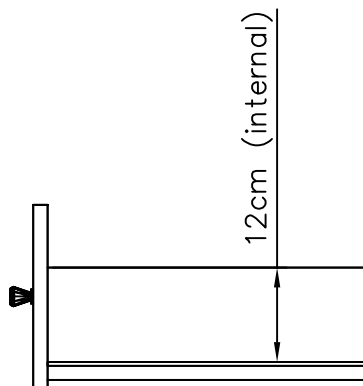
Front view



Plan view of drawer



Plan view



Side view of drawer

Notes

Dimensions are shown to nearest cm (rounded up)

Metal drawer runners.