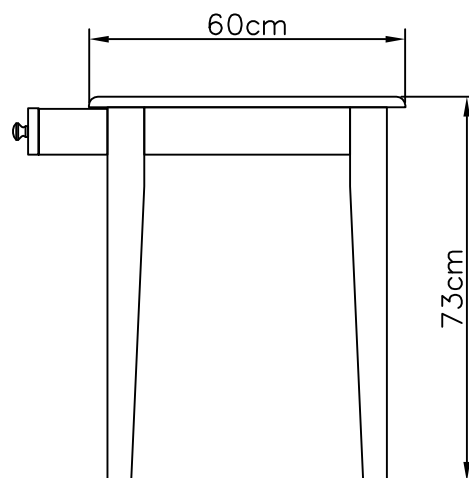
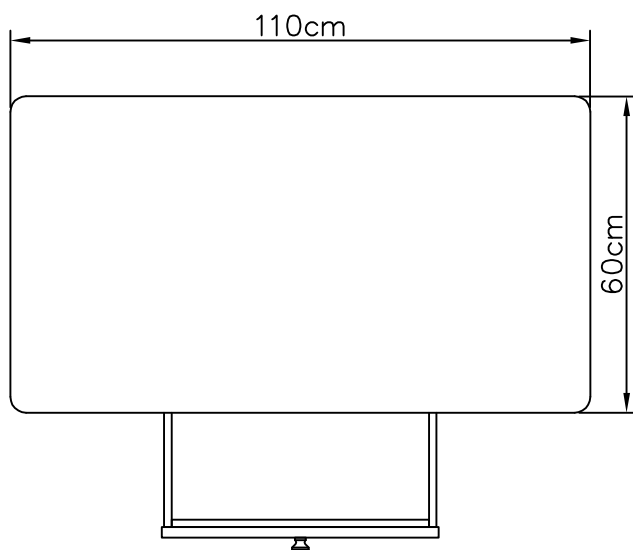


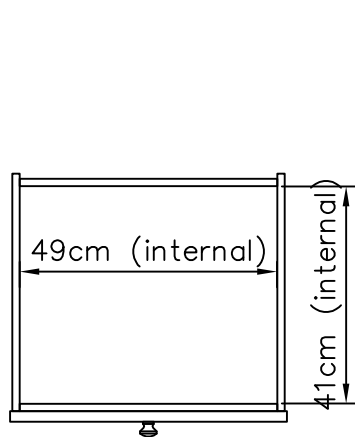
front view



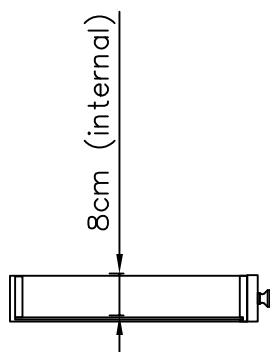
side view



plan view



plan view of drawer



side view of drawer